



Crone boilers



Features:

- Three-pass boiler with low fire load.
- Large water content buffering.
- Long fire tube for CO₂ production.
- Low heat loss.
- Factory mounted condenser.

Hortilife B.V. Horticulture- Boilers

Hortilife B.V. supplies and installs Crone boilers specially developed for use in horticulture. The boilers are available with different capacities.

Crone boilers are suitable, in particular, for the horticulture. Not only because of the large water content, but also by the long fire tube. This long fire tube is necessary because most boilers are used for CO₂ production. By the use of modern burners and a large first pass, the NO_x concentration can be held far below the critical limit of 100 ppm. It also increases the efficiency of the boiler. An important option is the condenser that already is built in at the factory. This gives a further saving on the purchase price.

In order to make an appropriate offer all we need from you is information about your greenhouse, boiler house and the desired temperature difference.

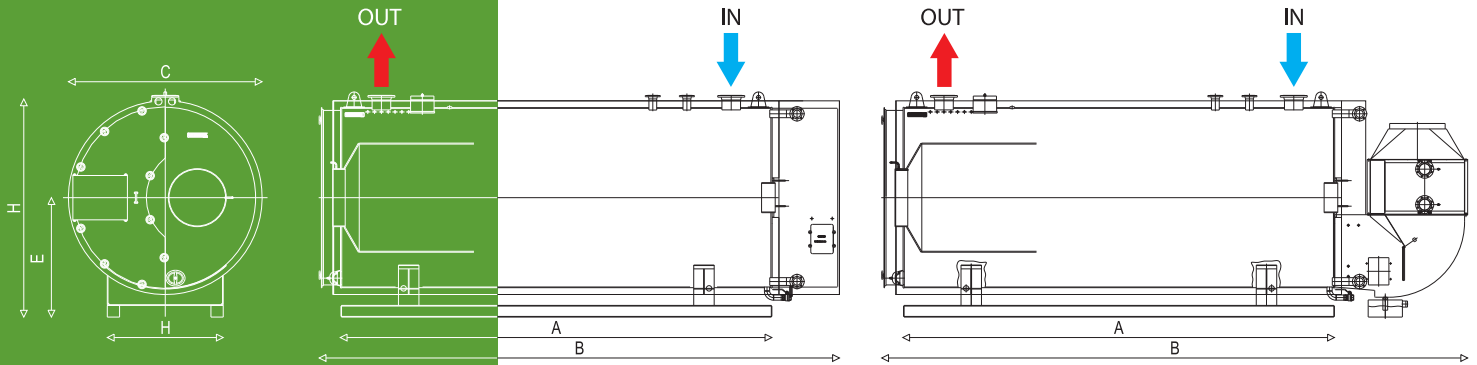
Hortilife B.V. is a general supplier of greenhouse equipment and supplies for agro-storage and product processing. The unique combination of supplied technology, agronomical advice and technical support make it possible for us to help you in your production-process optimization.

Hortilife B.V.
Koppelstraat 28
7391 AK TWELLO
The Netherlands
tel. +31 85 4010835
info@hortilife.com
www.hortilife.com

Hortilife
The Green Engineers

Crone CLW

Type CLW	A	B	C	E	H	Nominal power	Max. flow temperature	Boiler capacity	Empty weight	Boiler flow and return	Connection for safety valve	Flue connection
	mm	m	mm	mm	mm	kW	°C	liter	kg	DN	DN	Ømm
75	4230	5000	2000	1293	2436	2.400	110	5.960	5.870	150	2x2"	450
95	4230	5050	2200	1393	2636	3.000	110	7.060	7.190	200	2x2"	500
115	4230	5100	2316	1451	2752	3.600	110	7.830	8.000	200	2x2"	550
130	5205	6205	2336	1480	2791	4.200	110	9.950	9.230	200	2xDN065	600
145	5205	6255	2456	1540	2911	4.800	110	11.275	10.000	200	2xDN065	650
155	5205	6305	2526	1575	2981	5.400	110	11.350	10.610	250	2xDN080	700
170	5205	6305	2600	1612	3055	6.000	110	11.830	11.970	250	2xDN080	700
185	5480	6630	2660	1642	3115	6.600	110	12.850	12.860	250	2xDN080	700
200	5480	6680	2730	1677	3185	7.200	110	13.460	13.540	250	2xDN080	750
220	5630	6880	2840	1751	3314	8.400	110	14.150	15.170	250	2xDN100	800
250	6330	7630	2840	1751	3314	9.600	110	15.990	16.710	250	2xDN100	850
275	6330	7680	3000	1831	3474	10.800	110	18.775	18.570	300	2xDN100	900
300	6900	8350	3000	1831	3474	12.000	110	20.375	20.000	300	2xDN100	1000
350	6900	8350	3190	1426	3664	13.900	110	23.970	22.310	300	2xDN125	1000



Crone CLW with L-Condenser

Type CLW	A	B	C	E	H	Nominal power	Max. flow temperature	Boiler capacity	Empty weight	Boiler flow and return	Connection for safety valve	Flue connection
	mm	mm	mm	mm	mm	kW	°C	liter	kg	DN	DN	Ømm
75	4230	5570	2000	1293	2423	2.400	110	5.960	6.135	150	2x2"	450
95	4230	5720	2200	1393	2623	3.000	110	7.060	7.440	200	2x2"	450
115	4230	5720	2316	1451	2749	3.600	110	7.830	7.830	200	2x2"	500
130	5205	6925	2336	1480	2778	4.200	110	9.950	9.950	200	2xDN065	550
145	5205	6925	2456	1540	2898	4.800	110	11.275	11.275	200	2xDN065	600
155	5205	7025	2526	1575	2968	5.400	110	11.350	11.350	250	2xDN080	650
170	5205	7025	2600	1612	3042	6.000	110	11.830	11.830	250	2xDN080	700
185	5480	7550	2660	1642	3102	6.600	110	12.850	12.850	250	2xDN080	700
200	5480	7550	2730	1677	3172	7.200	110	13.460	13.460	250	2xDN080	700
220	5630	7800	2840	1751	3301	8.400	110	14.150	14.150	250	2xDN100	700
250	6330	8600	2840	1751	3301	9.600	110	15.990	15.990	250	2xDN100	800

Hortilife B.V.
 Koppelstraat 28
 7391 AK TWELLO
 The Netherlands
 tel. +31 85 4010835
 info@hortilife.com
 www.hortilife.com